



Foundation Pile Example: Drilled Reinforced Concrete Pile

Deep Excavation LLC
Software program: DeepFND
Document version: 1.0
January 11, 2019
www.deepexcavation.com
www.deepex.com

A. Project description

In this example we will design a drilled reinforced concrete foundation pile. The Figure below presents the project model. Tables 1 and 2 present the soil properties and the stratigraphy respectively. Table 3 presents the external loads applied on the pile head. Table 4 presents the pile section properties that we are going to use. The general ground surface is at El. 0ft and the general water table is at El. -15 ft.

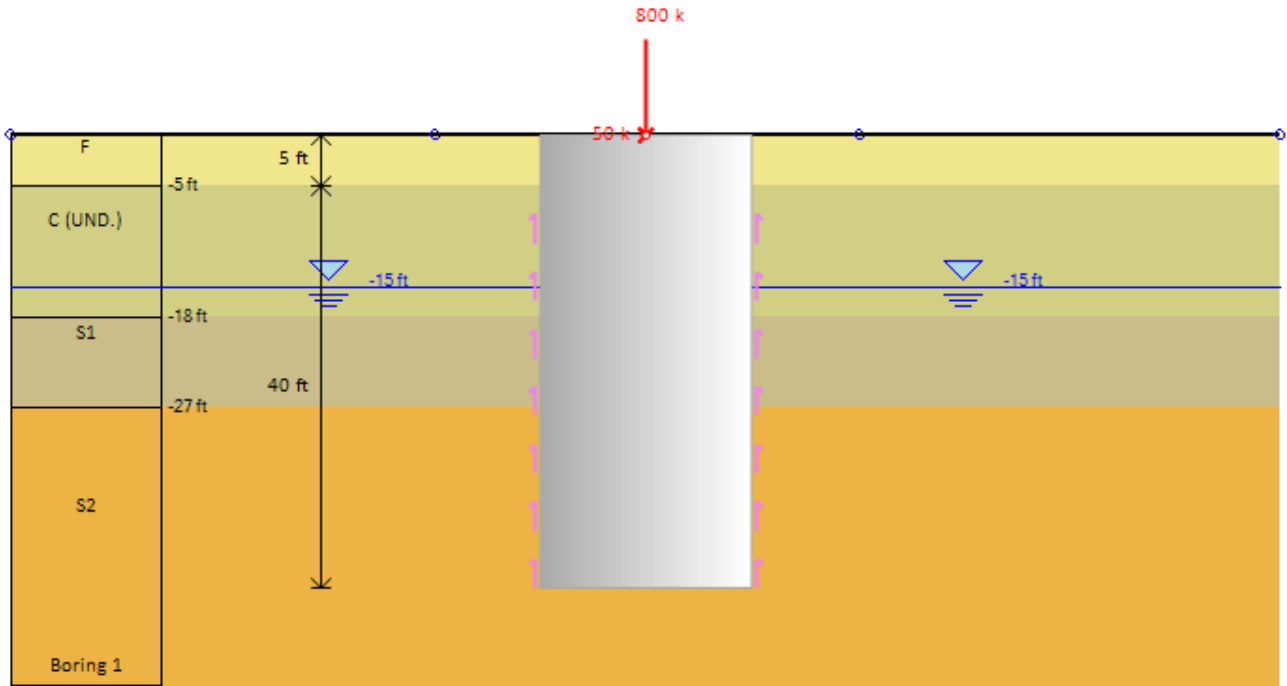


Figure: Project model.

Table 1: Soil properties.

Soil Layer	Soil Type	General properties						Lateral properties		
		ϕ' (deg)	C'/Su (psf)	γ (pcf)	γ_{dry} (pcf)	E _{LOAD} (ksf)	E _{RELOAD} (ksf)	k (pci)	e50	K _{rm}
F	Fill	25	0	120	120	300	900	60	-	-
C	Clay (Undrained)	-	1300	116	116	400	1200	-	0.005	-
S1	Sand	32	0	130	130	600	1800	60	-	-
S2	Sand	34	10	135	135	900	2700	90	-	-

Table 2: Stratigraphy.

Soil Layer	Elevation (ft)	OCR	Ko
F	-0	1	0.577
C	-5	1	0.515
S1	-18	1	0.47
S2	-27	1	0.441

Table 3: External loads.

Stage	Axial Load (kips)	Moment (k-ft)	Lateral Load (kips)
Stage 0 (Compression)	800	0	50
Stage 1 (Tension)	-180	0	50

Table 4: Pile parameters.

Pile Type	Drilled Reinforced Concrete
Pile Width	5ft
Longitudinal Reinforcement	24 bars #5
Steel Grade	Grade 60
Conctere Grade	3 ksi

B. Modeling with DeepFND

In DeepFND software, we should define initially the soil properties of all soils according to the geotechnical report, the model stratigraphy, the pile head loads and the pile initial depth and structural section.

- **Define soil properties:**

From the General tab of DeepFND we can select the option “Edit Soil Type Data”. In the dialog that appears, we can modify the existing soils database or add new soils, and then for each one of them, we have to define the general soil properties, the soil model and the lateral soil properties. The soil parameters can be defined manually, or with the use of the software SPT estimator or local parameter estimation tools.

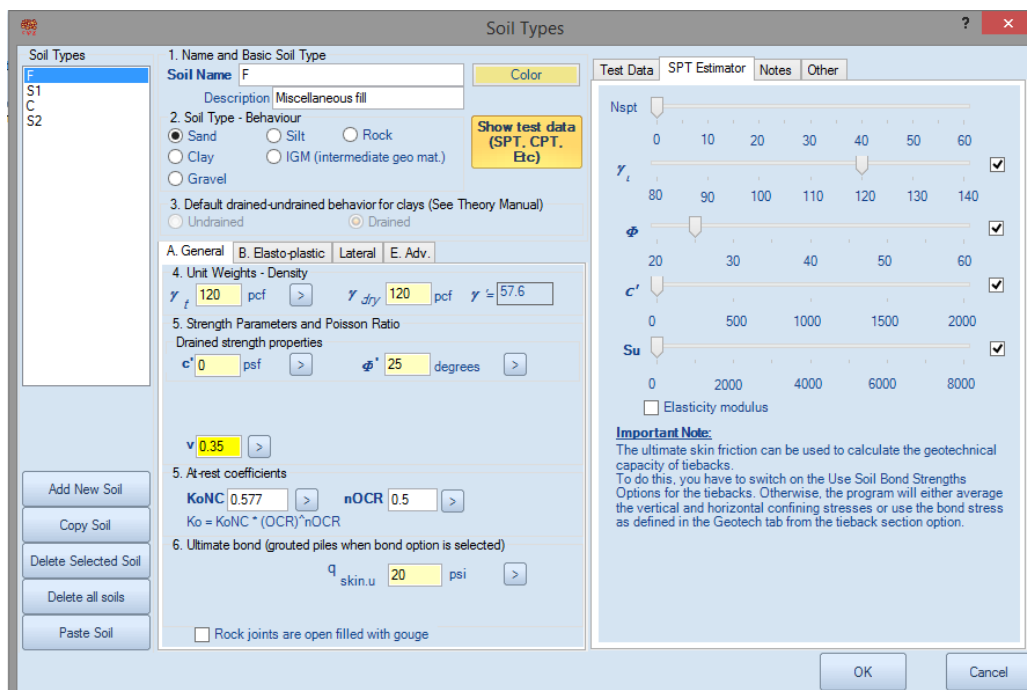


Figure: Edit Soil Type Data Dialog.

- **Define stratigraphy:**

From the General tab of DeepFND we can select the option “Edit Boring”. In the dialog that appears, we can define the top of the soil layer elevation and the soil type for each soil layer.

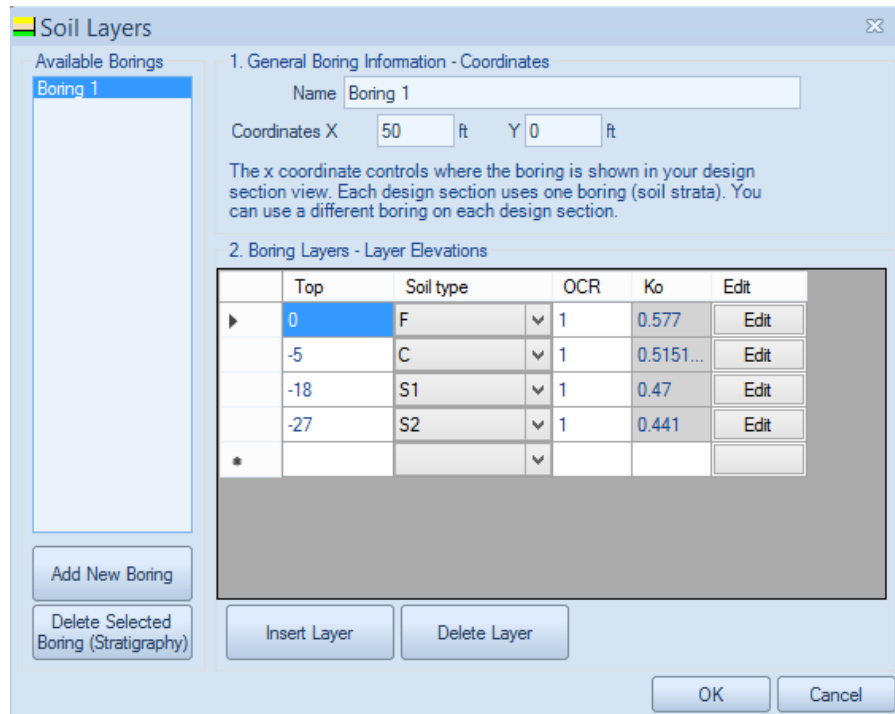


Figure: Edit Soil Layers Dialog.

- **Define external loads on pile head:**

In any model in DeepFND we can add several stages. In our deep foundation software these can work as loading stages, so in each stage we can define a different load (load type, magnitude etc). In this example, we will use Stage 0 to define our maximum compression load, and Stage 1 to define our maximum tension load on the pile head.

First of all, we right-click on the Stage 0 tab right below the model area and we select to Add Stage (so Stage 1 is added):

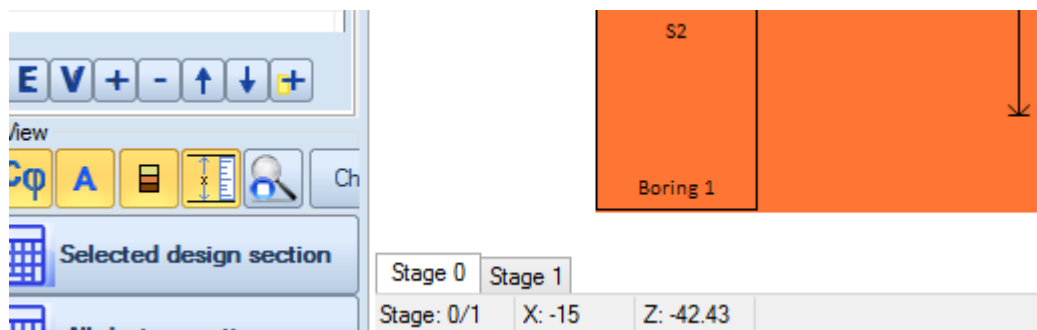


Figure: Stages in DeepFND.

After we create the stages, we double-click on the load in the model area. In the dialog that appears, we can add several loads in the list and define the load type and the magnitude of each load, in each stage. The summary of all loads will be applied on the pile head. If we apply a design standard (i.e. AASHTO LRFD), the loads will be factored depending on the load type (dead, live, wind, ice, vehicular etc.).

	Active	Axial force(k)	Moment(k-ft)	Horizontal
▶ Stage 0	<input checked="" type="checkbox"/>	800	0	50
Stage 1	<input checked="" type="checkbox"/>	-180	0	50

Figure: Define loads on pile head.

- **Define pile section and initial length:**

In DeepFND we have to define the pile type, installation method, structural section and original depth. Later, based on the analyses results, we can choose to optimize the pile section and the pile embedment. The required pile length can also be calculated by the software. We have to double-click on the pile and define the pile parameters in the dialog that appears. By pressing “Edit” on this dialog, we can define the pile type and the pile structural section.

DEEFPND EXAMPLE: DRILLED REINFORCED CONCRETE PILE

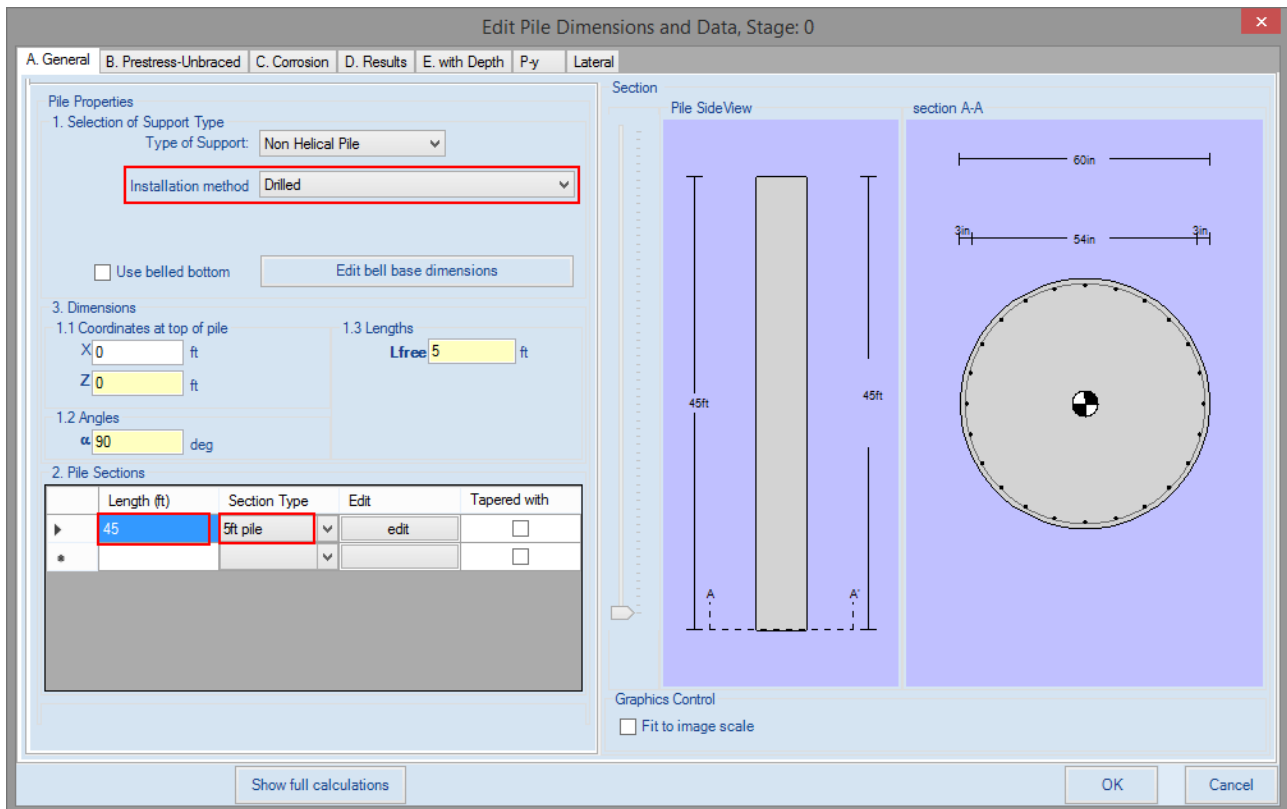


Figure: Define pile dimensions and data dialog.

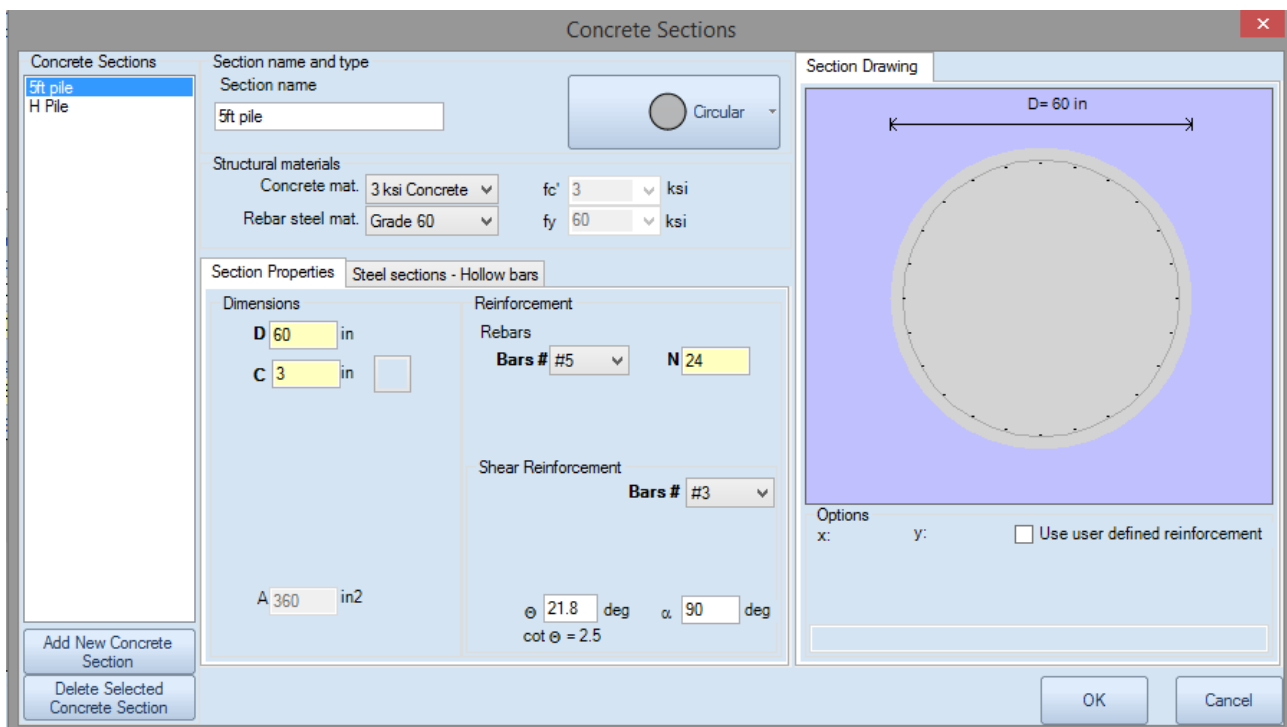


Figure: Select the pile type and choose to edit the steel section.

C. Define Analysis Options

After we create the model in DeepFND, we have to define several analysis parameters.

- **Pile length automatic optimization:**

In the general tab of DeepFND we can select to optimize the pile length. In this case, we need to define the maximum pile depth and the step. The software will use the step to calculate the pile tensional and compressional capacity in several depths and compare them with the applied tension and compression loads respectively. It will stop the analysis when both capacities exceed the applied loads and return as a result the pile depth, the calculated capacities and the pile structural results (moment, shear, displacement etc.). If the software reaches the maximum depth and fails to find a suitable solution, it will stop the analysis and return as a result the calculated capacities etc. of the maximum depth.

If we leave this option unselected, the software will use the pile depth we manually specified for the analysis and return all analysis results.

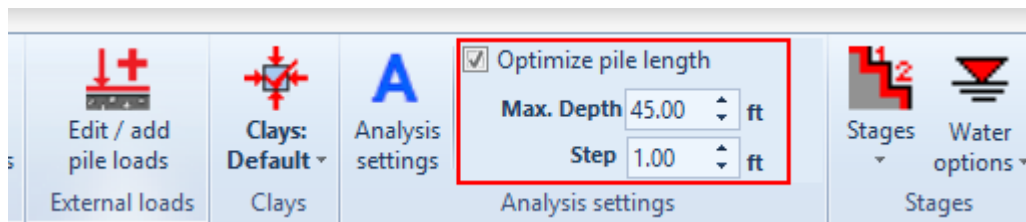


Figure: Option to optimize pile length in the General tab.

- **Analysis equations and settings:**

In the Analysis tab of DeepFND, all analysis parameters are automatically defined according to the pile type (helical or non-helical) and the pile installation method (drilled, driven, caisson, micropile etc.).

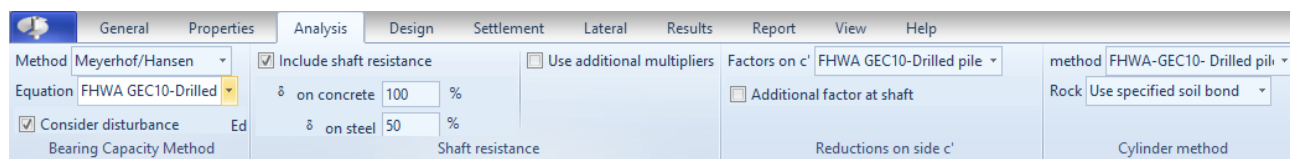


Figure: Analysis settings, automatically selected.

- **Design standards and Safety factors:**

In the Design tab we can define the structural codes and the safety factors applied on the bearing, shaft and structural capacities. Alternatively, we can select a load combination of a specific geotechnical design standard (we will not use one in the current example).

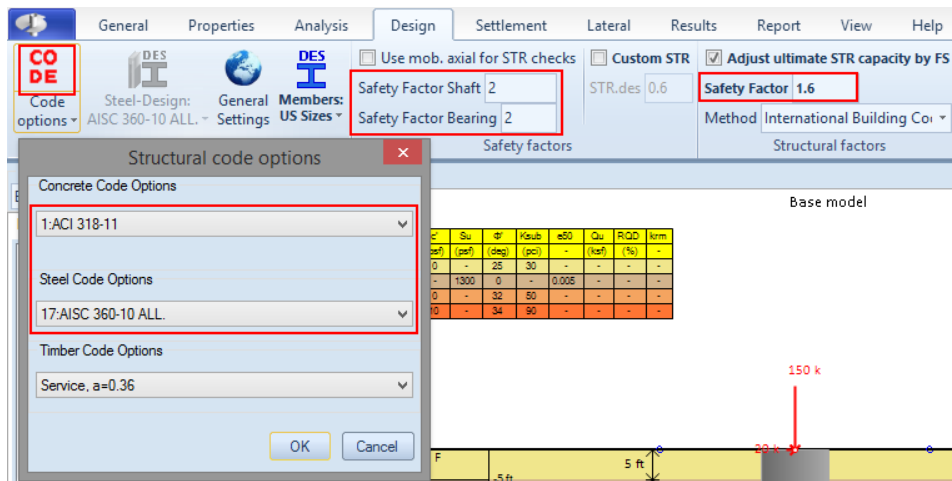


Figure: Define structural codes and structural/geotechnical safety factors.

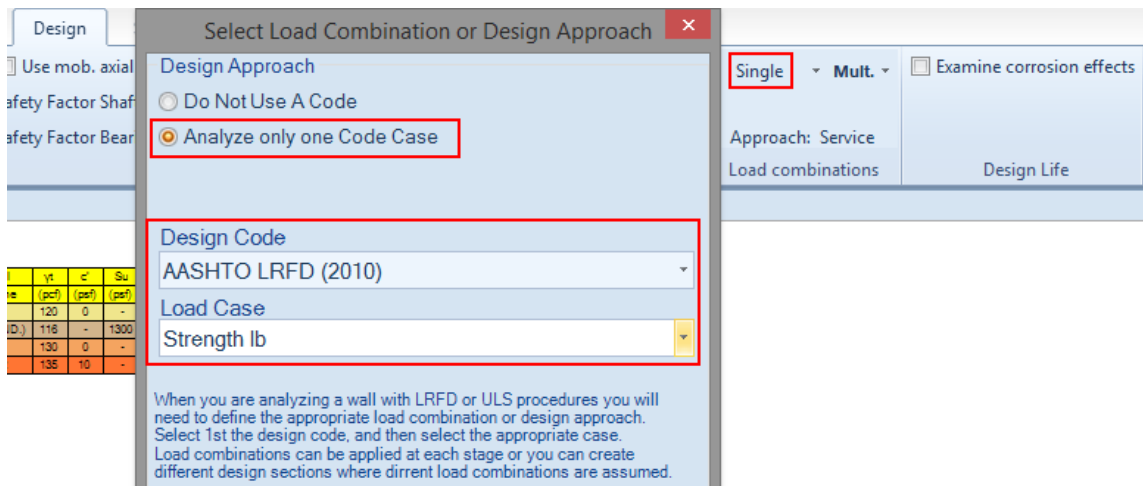


Figure: Option to assign a design standard load combination.

• **Settlement analysis options:**

In the Settlement tab we can select the option to perform settlement analysis. Also there, we can define pile settlement acceptance criteria.

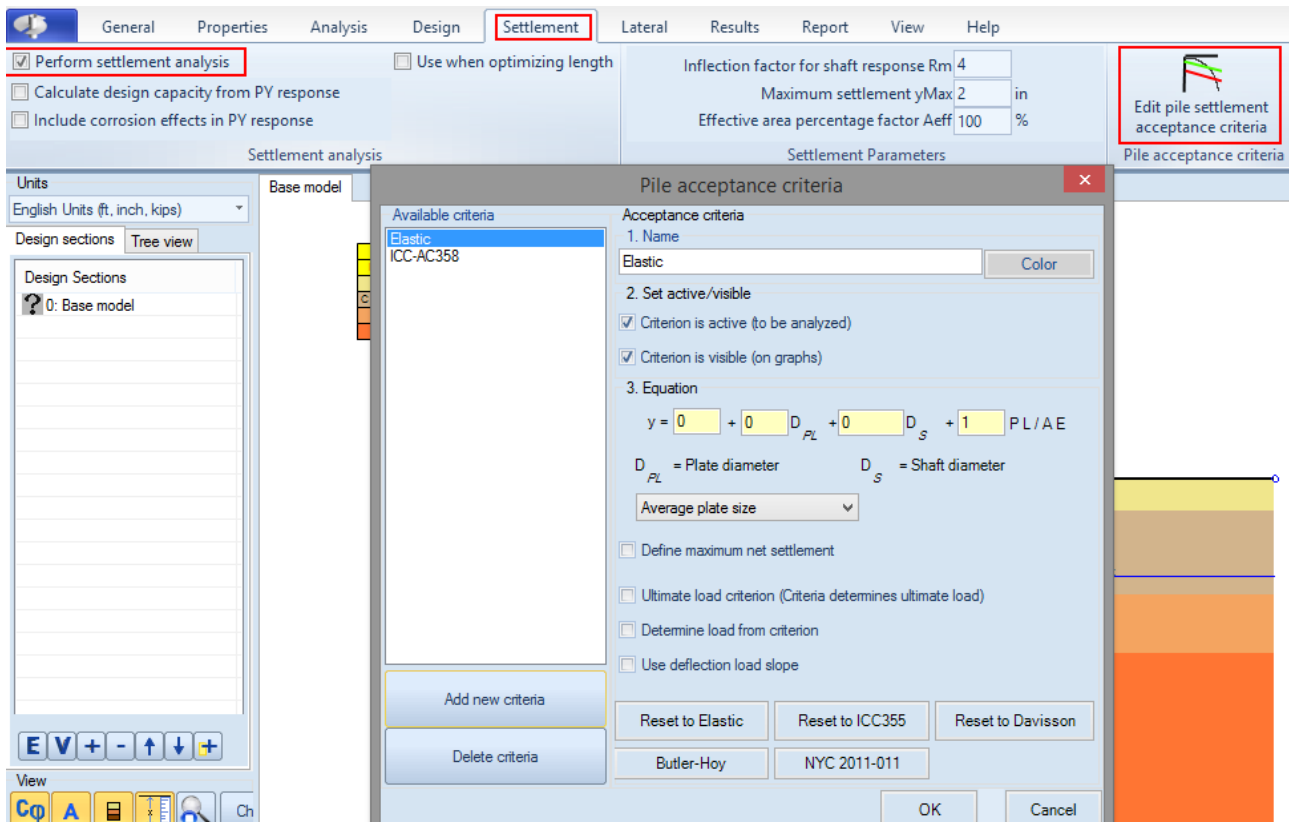


Figure: Option to perform settlement analysis and pile settlement acceptance criteria.

- **Lateral pile analysis options:**

In the Lateral tab we can select the lateral pile analysis method. The available options are either to calculate pile moment, shear and displacement for the defined lateral loads, or perform a pushover analysis and report the required load to achieve a specific displacement.

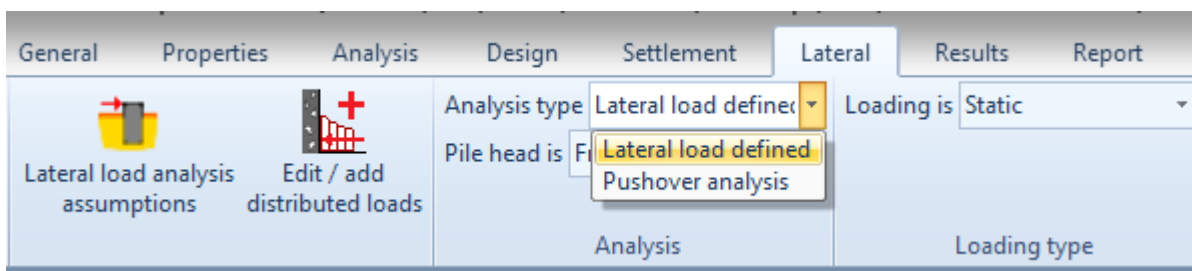


Figure: Lateral load options.

D. Analysis and Results

Since the model is ready, we can choose to calculate the design section. After the analysis is succeeded, the Summary table appears. The table below includes the calculated compression and tension capacities, the optimized pile depth, the lateral pile results and more. With red we can see some values that are critical. In this case, we can see that at least one stress check is above the limit "1". We can locate the issue by closing the summary table and reviewing the results graphically on the model area for every stage. In this case, the structural capacity and moment capacity on the pile in Stage 1 (tension stage) are not enough to cover the combination of the tension and lateral load applied on the pile head. In this case we need to somehow increase the pile capacity (increase number or size of rebars, concrete grade, pile diameter etc.).

Table: Analysis and Checking Summary table.

Extended Summary										
	Calculation	Pile type	Fmax compression (k)	Cap. compression (k)	Fmax tension (k)	Cap. tension (k)	Max. stress check	Pile length (ft)	Pile OD (in)	Bearing
► Base model	Calculation succ...	Drilled	800	1129.1	180	186.8	1.449	37	60	Atip= 19.63ft2

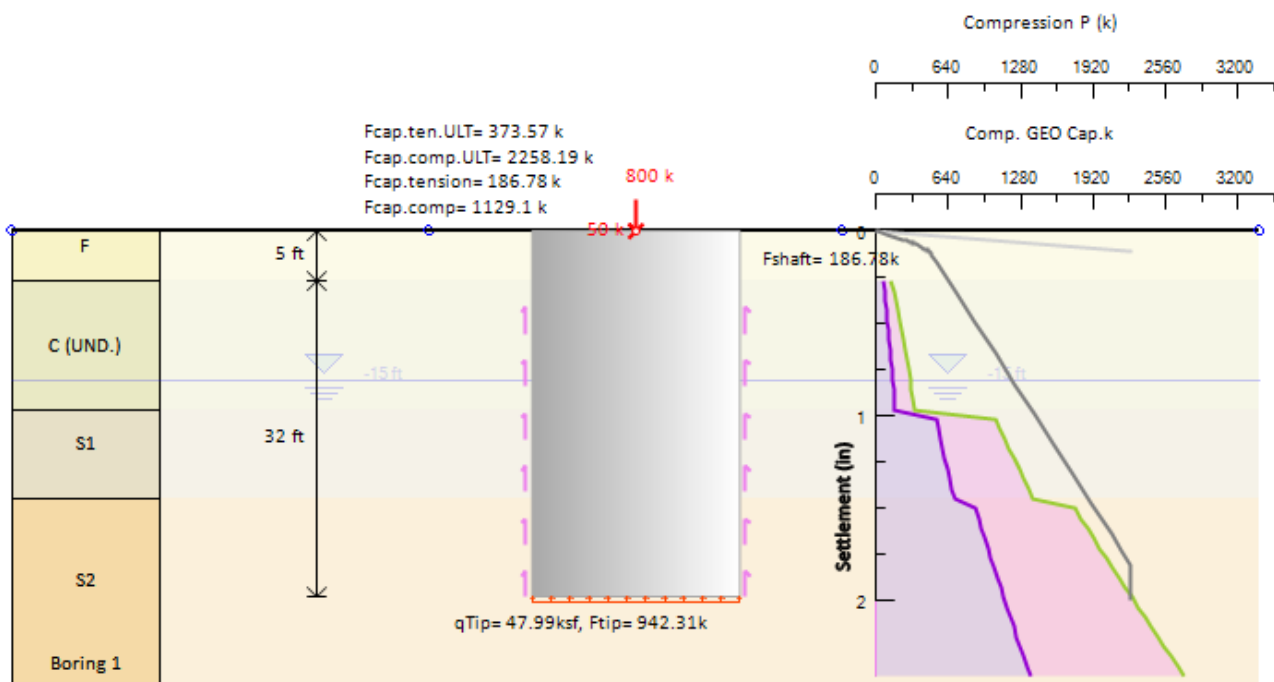


Figure: Pile geotechnical capacities and settlement.

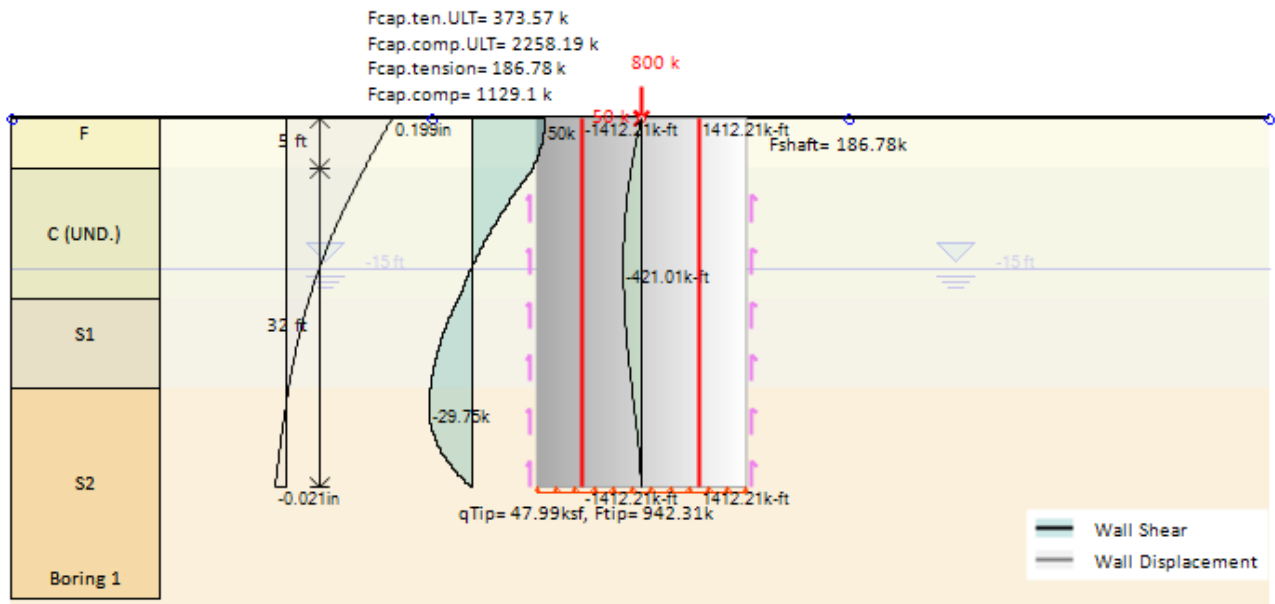


Figure: Pile displacement, shear and moment diagrams – Stage 0.

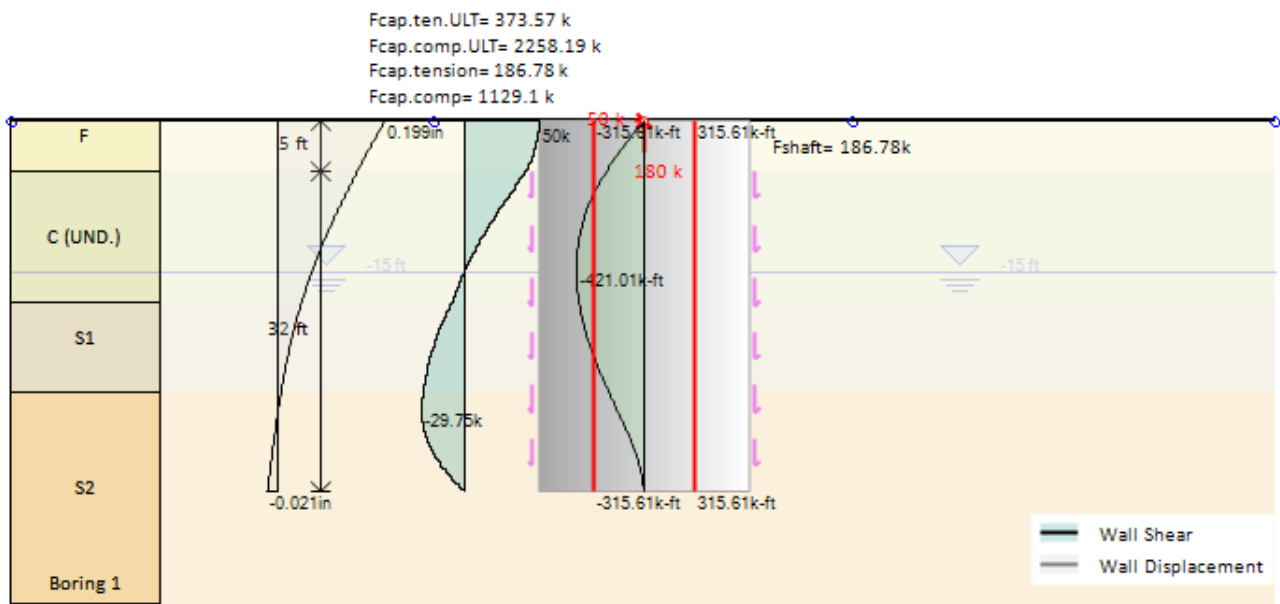


Figure: Pile displacement, shear and moment diagrams – Stage 1.